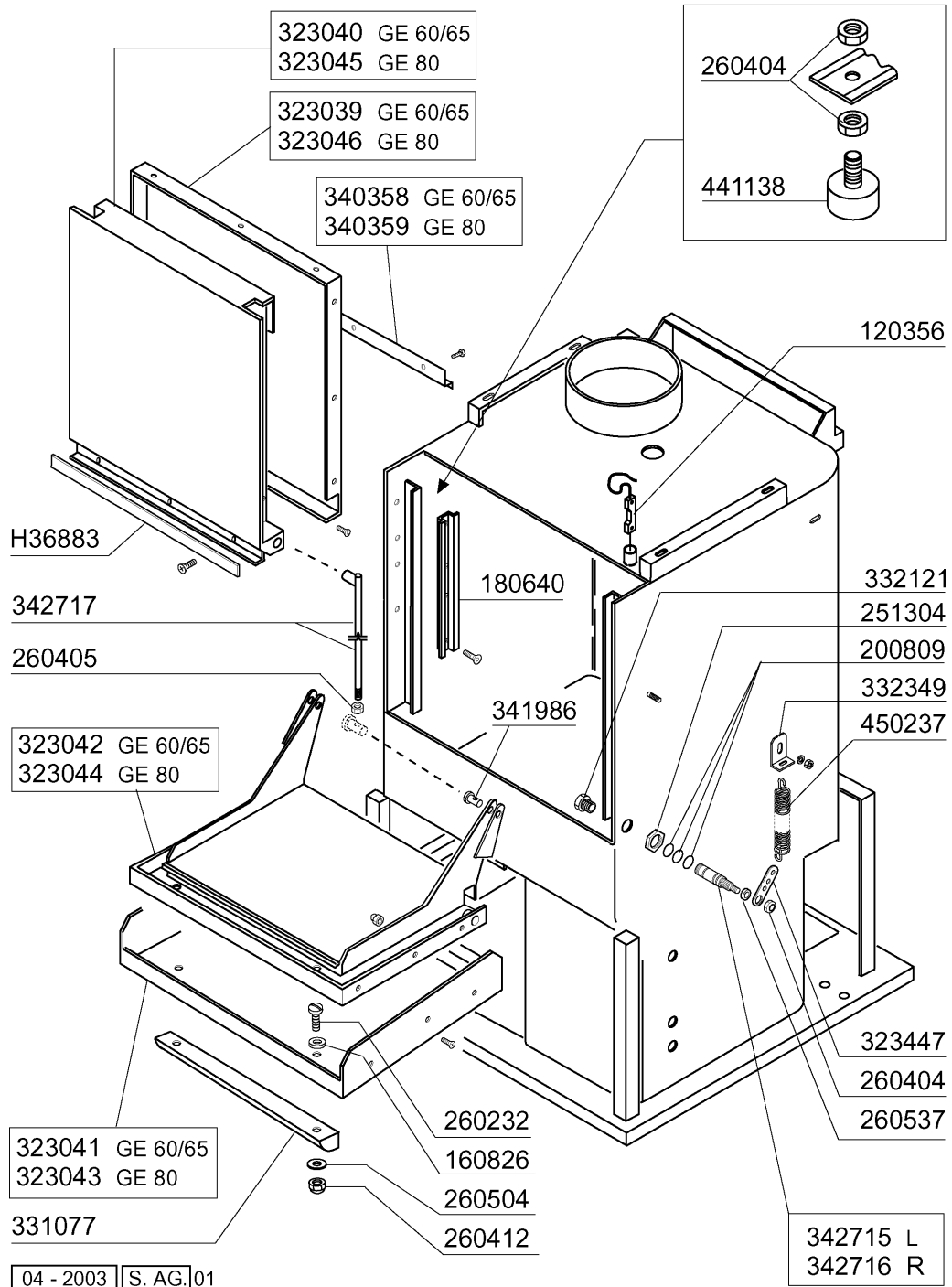


1 - Hood

CODE	DESCRIPTION
160704	BLACK PLUG WITH GASKET 1/2"GAK
160793	PLUG
180108	PLASTIC NUT 1/2"
210404	BLACK RUBBER FOOT S90 NE SE
322711	RIGHT RAIL GE
322712	RAIL LEFT GE
332352	BRACKET
341745	SUPPORT
342247	HOOD+TANK GE80
342248	HOOD+TANK GE60
351397	RIGHT SIDE PANEL GE
351398	SIDE LEFT PANEL GE
351403	PANEL
351404	TOP COVER GE80
351414	SIDE LEFT PANEL GE
351415	SIDE RIGHT PANEL GE
351740	CONTROL PANEL GE
351743	FRONT PANEL GE80
351781	FRONT PANEL GE60
351782	FRONT PANEL GE80
351949	UPPER BACK PANEL GE80
351950	BACK PANEL GE80
351951	UPPER BACK PANEL GE65
351952	BACK PANEL GE65
361065	FRAME GE60
361066	FRAME GE80
450821	SPRING CLIP FASTENER SNU 3634
460435	ISOLATION PANEL
620222	COMPLETE ALUMINIUM LEGS

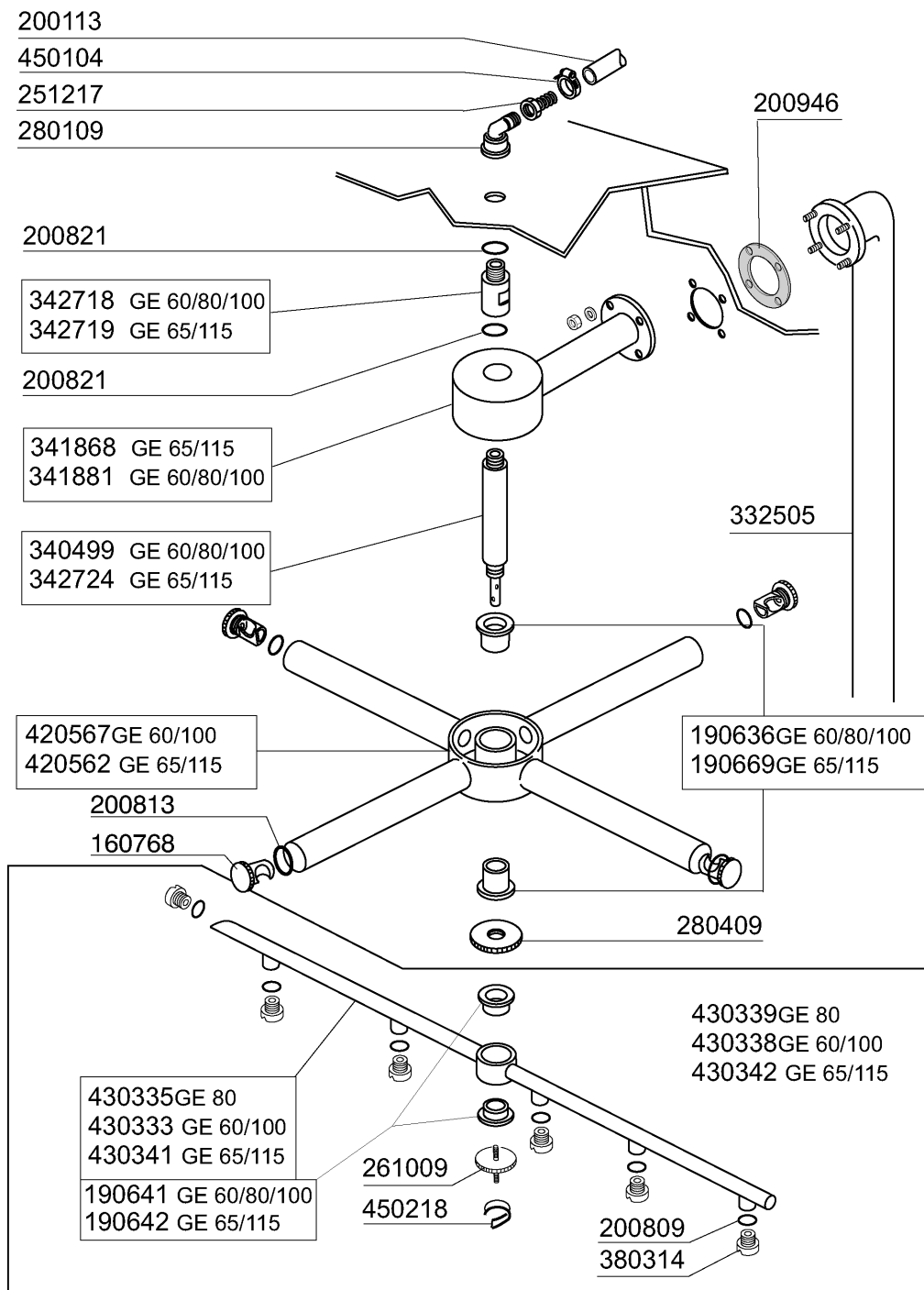
2 - Door component



2 - Door component

CODE	DESCRIPTION
120356	DOOR MAGN.SWITCH
160826	GASKET 14X6,2X2 B41-F2
180640	DOOR RAIL FOR GE
200809	OR GASKET 1,78X8,73X12,29
251304	ST/ST LOCK NUT 3/8
260232	STAINL.ST TB SCREW 6X25 B15-6-
260404	STAINLESS STEEL NUTS D6 UNI 55
260405	NUT D.8
260412	SELF-LOCKING NUT M6
260504	ST/ST FLAT WASHER D6
260537	STAINL.STEEL FLAT WASHER D13X2
323039	BACK COVER FOR UPPER DOOR GE60
323040	UPPER DOOR GE60-65
323041	LOWER DOOR GE60-65
323042	BACK COVER FOR LOWER DOOR GE60
323043	LOWER DOOR GE80
323044	BACK COVER FOR LOWER DOOR GE80
323045	UPPER DOOR GE80
323046	BACK COVER FOR UPPER DOOR GE80
323447	SPRING CONNECTION
331077	GE DOOR HANDLE
332121	BUSH FOR HOOD GE
332349	BRACKET FOR DOOR SPRING GE
340358	BRACKET GE65
340359	BRACKET GE80
341986	"GL"-DOOR PIN
342715	LEFT SPINDLE FOR GE DOOR
342716	RIGHT SPINDLE GE DOOR
342717	DOOR SPINDLE
441138	PROTECTION
450237	DOOR SPRING GE
H36883	GASKET FOR DOOR GE

3 - Upper wash and rinse arms

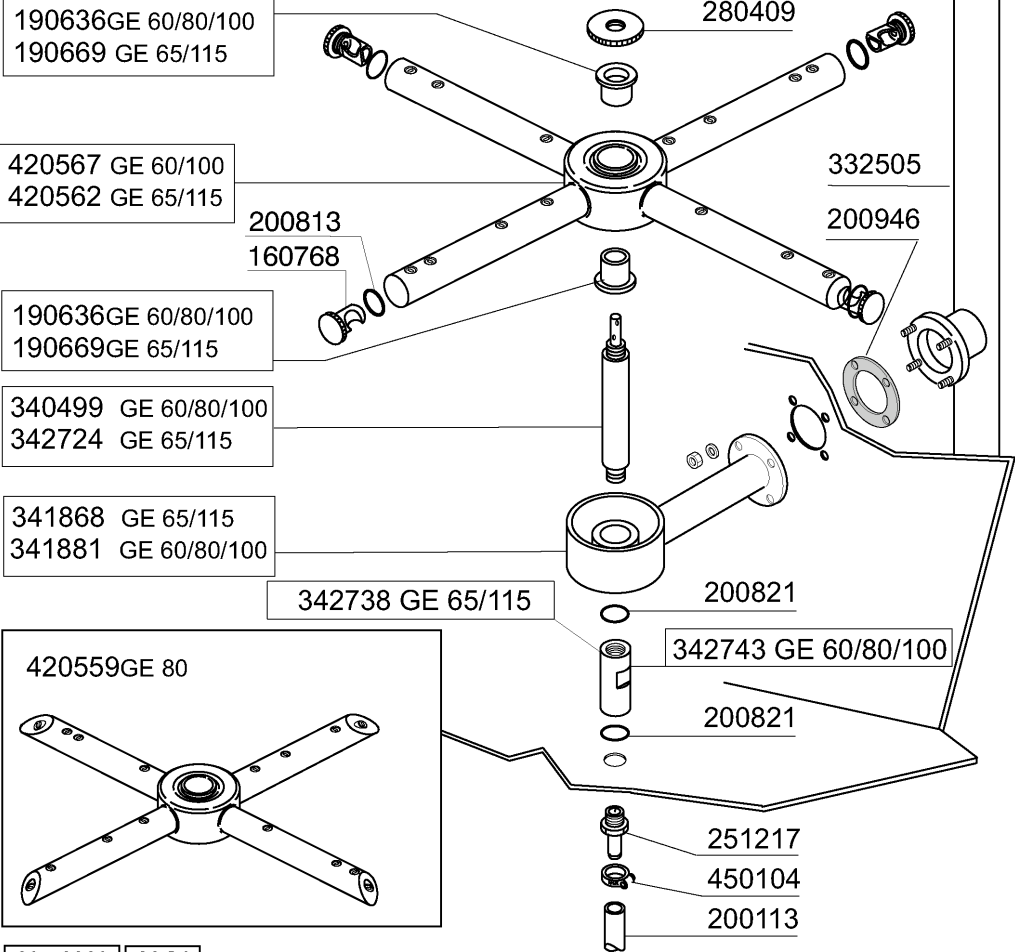
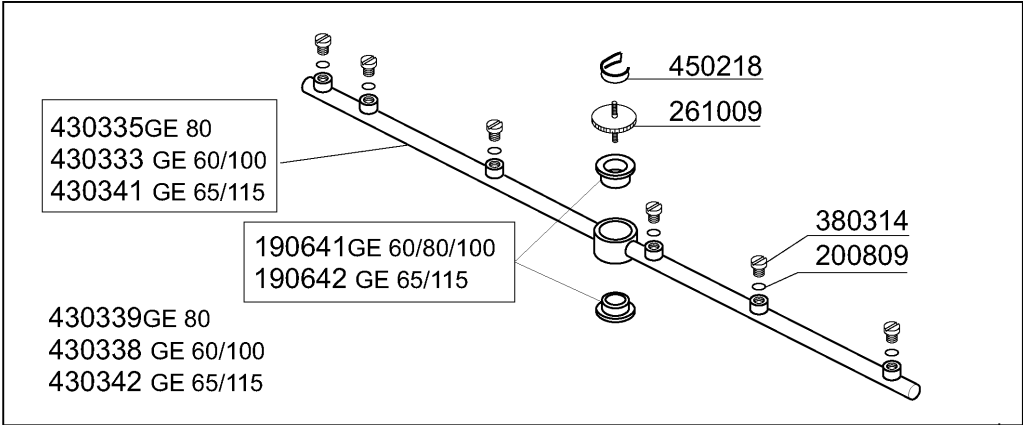


08 - 2008 M.SA

3 - Upper wash and rinse arms

CODE	DESCRIPTION
160768	PLUG FOR "C95-155" WASH ARM
190636	BUSH FOR C95-155-165 WASH ARM
190641	BUSH FOR C95-155-165 RINSE ARM
190642	BUSH FOR S/S RINSE ARM "G"
190669	BUSH WASH ARM GE
200113	RUBBER HOSE 12 X 22
200809	OR GASKET 1,78X8,73X12,29
200813	OR GASKET 2,21X16,36X20,78
200821	O-RING 2,62X20,63
200946	GASKET WASH COLUMN GE
251217	ST/ST NIPPLE 3/8
261009	RETAIN.SCREW FOR WASH-RINSE AR
280109	CRANK 90Ø F.F 3/8"
280409	RETAIN.LOCK NUT CENTR.CROSS C1
332505	GE WASH COLUMN
340499	SPINDLE CENTR. CROSS C34
341868	GE65 WASH ARM SUPPORT
341881	GE60 WASH ARM SUPPORT
342718	RINSE SPINDLE GE60
342719	RINSE SPINDLE GE65
342724	WASH ARM SPINDLE GE65
380314	RINSE JETS 801/HR
420562	WASH ARM GE65-115
420567	WASH ARM GE60-100
430333	RINSE ARM WITHOUT NOZZLE GE100
430335	RINSE ARM WITHOUT NOZZLES GE80
430338	RINSE ARM GE100
430339	RINSE ARM GE80
430341	RINSE ARM WITHOUT NOZZLES GE65
430342	RINSE ARM GE65
450104	CLAMP FE ZN H=12,5 15-24
450218	SPRING F.RINSE ARM RETAIN.SCRE

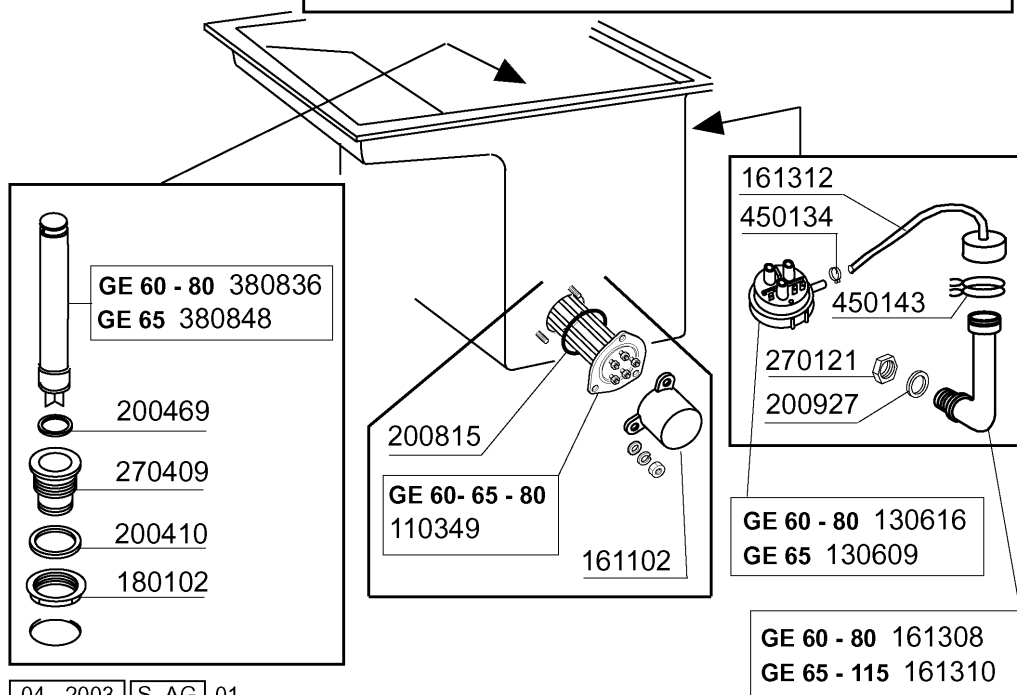
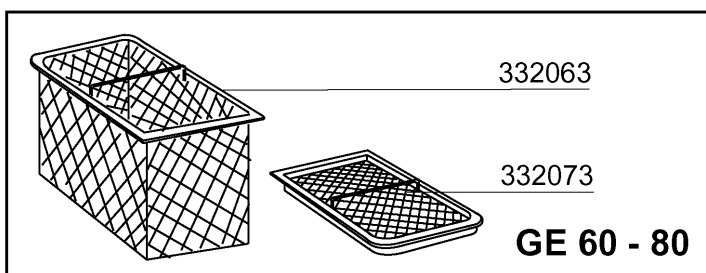
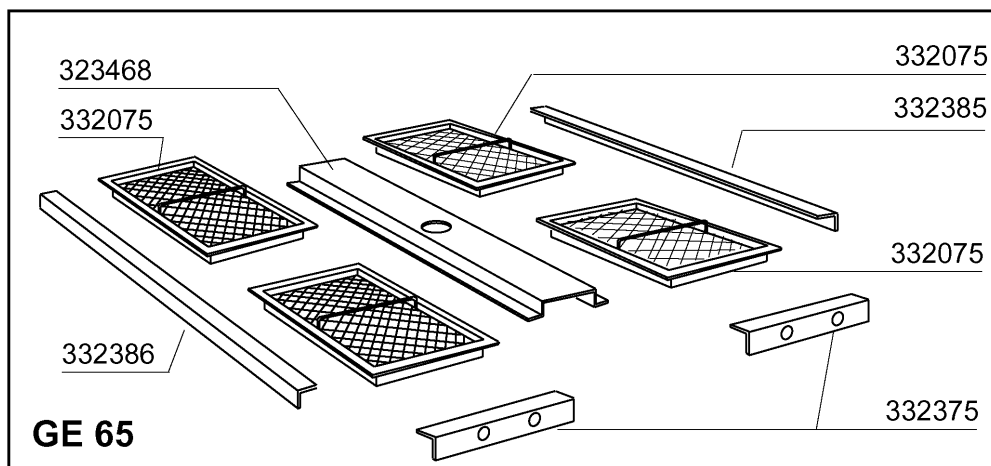
4 - Lower wash and rinse arms



08 - 2008 M.SA

4 - Lower wash and rinse arms

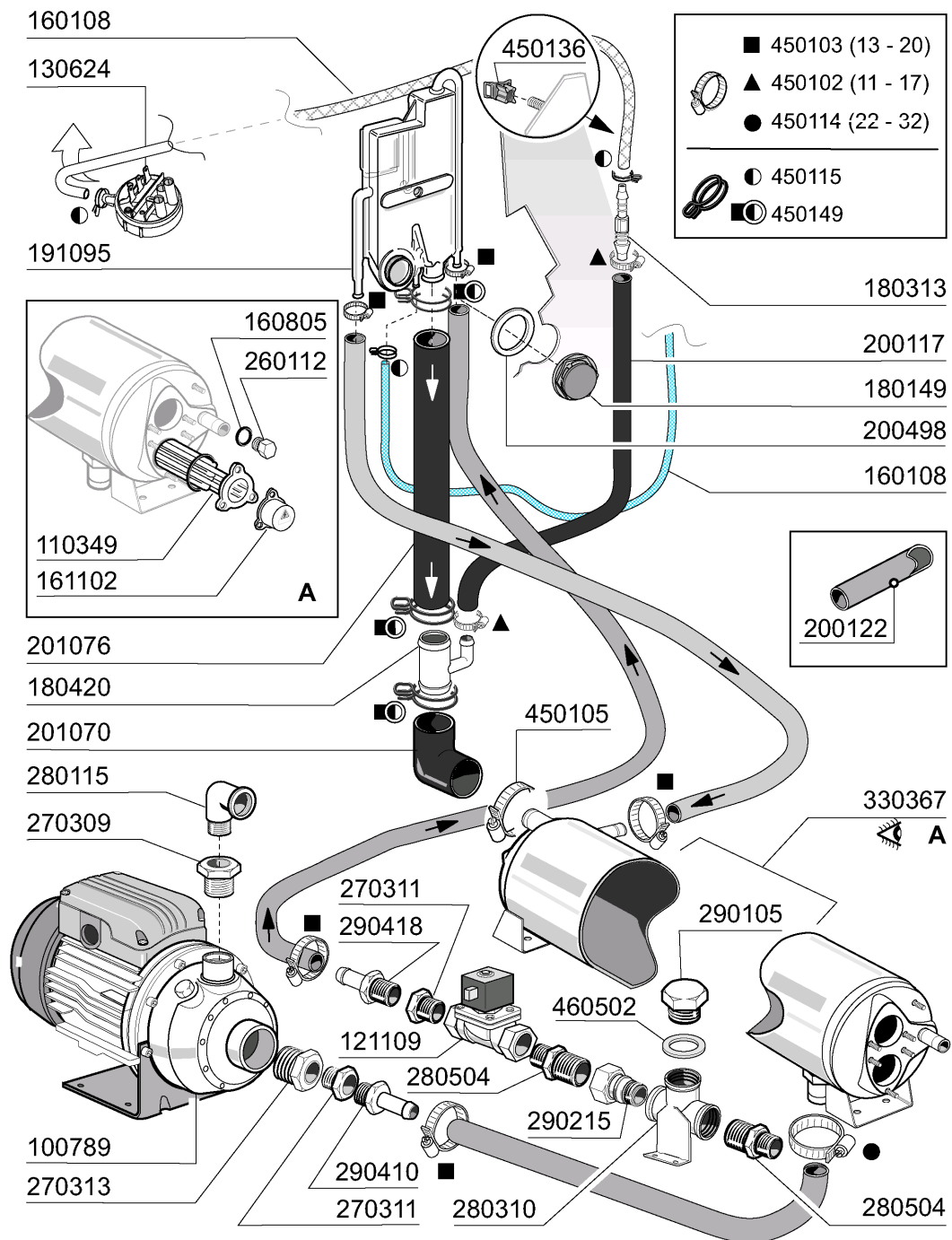
CODE	DESCRIPTION
160768	PLUG FOR "C95-155" WASH ARM
190636	BUSH FOR C95-155-165 WASH ARM
190641	BUSH FOR C95-155-165 RINSE ARM
190642	BUSH FOR S/S RINSE ARM "G"
190669	BUSH WASH ARM GE
200113	RUBBER HOSE 12 X 22
200809	OR GASKET 1,78X8,73X12,29
200813	OR GASKET 2,21X16,36X20,78
200821	O-RING 2,62X20,63
200946	GASKET WASH COLUMN GE
251217	ST/ST NIPPLE 3/8
261009	RETAIN.SCREW FOR WASH-RINSE AR
280409	RETAIN.LOCK NUT CENTR.CROSS C1
332505	GE WASH COLUMN
340499	SPINDLE CENTR. CROSS C34
341868	GE65 WASH ARM SUPPORT
341881	GE60 WASH ARM SUPPORT
342724	WASH ARM SPINDLE GE65
342738	EXTENSION
342743	EXTENSION
380314	RINSE JETS 801/HR
420559	WASH ARM GE80
420562	WASH ARM GE65-115
420567	WASH ARM GE60-100
430333	RINSE ARM WITHOUT NOZZLE GE100
430335	RINSE ARM WITHOUT NOZZLES GE80
430338	RINSE ARM GE100
430339	RINSE ARM GE80
430341	RINSE ARM WITHOUT NOZZLES GE65
430342	RINSE ARM GE65
450104	CLAMP FE ZN H=12,5 15-24
450218	SPRING F.RINSE ARM RETAIN.SCRE



5 - Filters

CODE	DESCRIPTION
110349	HEAT.ELEMENT 6000W 230/400V
130609	1 LEVEL PRESSURE SWITCH 110-70
130616	PRESSURE SWITCH 190/80 FOR C95
161102	ELEMENT COVER MOPL.
161308	AIR CHAMBER C95-155
161310	AIR CHAMBER FOR GLASSWASHERS B
161312	HOSE FOR PRESSURE SWITCH C95-1
180102	DRAIN PIPE NUT 1"1/2 F45-55
200410	DRAIN OUTL.WASH.1 1/2"65X47X2
200469	STAND PIPE O RING 45X35,5X7
200815	O-RING F. HEAT.ELEM.
200927	GASKET FOR AIR TRAP
270121	NUT FOR AIR TRAP
270409	DRAIN OUTLET AC-ACR
323468	STRAINERS SUPPORT
332063	DRAW FILTER GE60-80
332073	FLAT FILTER GE60-80
332075	TANK FILTER GE65-115
332375	FILTER SUPPORT GE65-115
332385	RIGHT FILTER SUPPORT GE65
332386	LEFT FILTER SUPPORT GE65
380836	OVERFLOW PIPE MM.415
380848	OVERFLOW PIPE GE65-115
450134	ELASTIC HOSE CLIP D.9,3/8,8
450143	CLAMP D.39,7 X 37,7

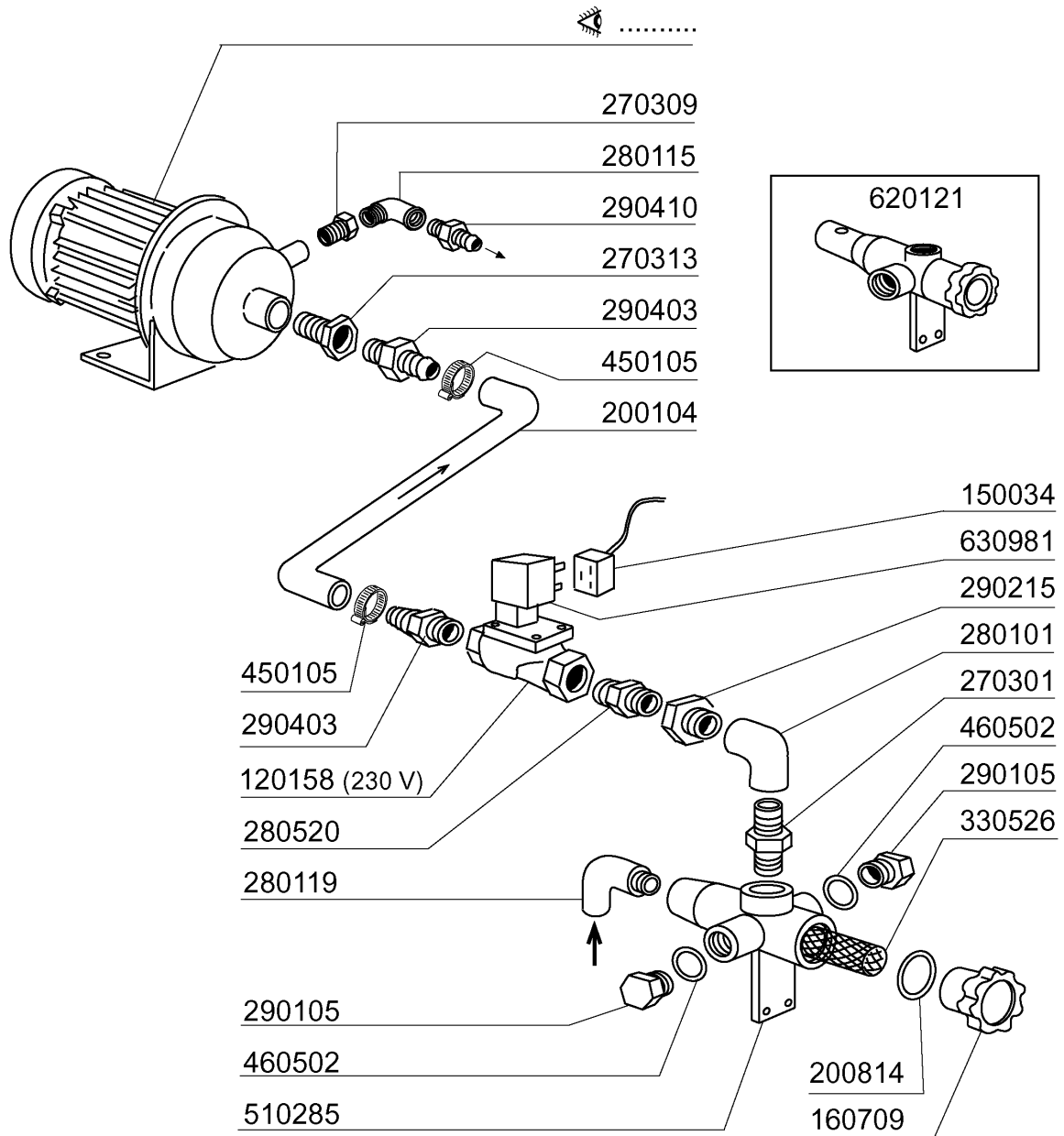
6 - Rinse assembly



06 - 2009 | M. SA.

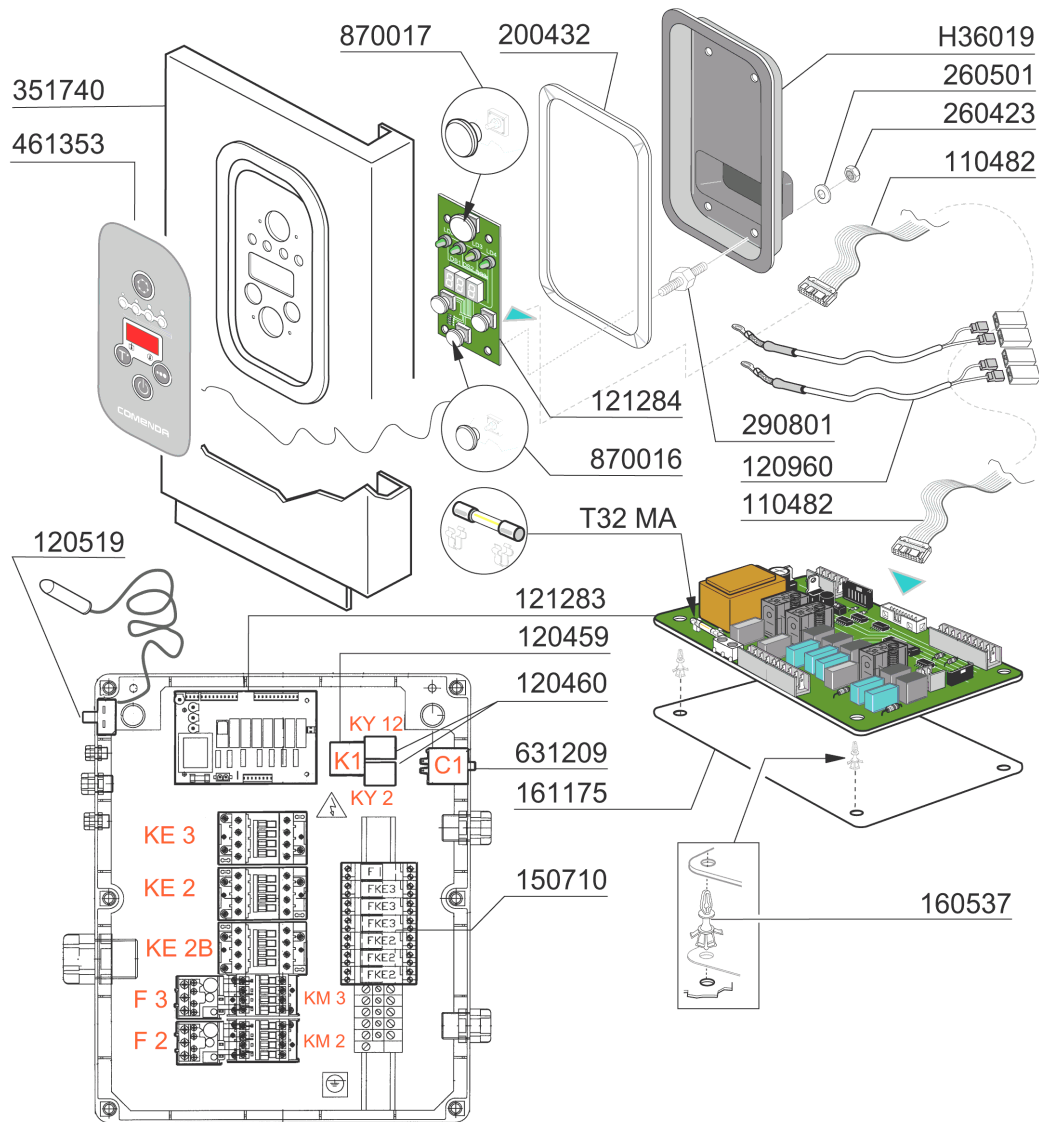
6 - Rinse assembly

CODE	DESCRIPTION
100789	PUMP HP 0,75 220/415V
110349	HEAT.ELEMENT 6000W 230/400V
121109	SOLENOID VALVE 2/2 NC 3/4
130624	PRESSURE SWITCH 110-70
160108	INJECT.INLET HOSE D.8X5
160805	GASKET D.8
161102	ELEMENT COVER MOPL.
180149	PLASTIC NUT
180313	TEE-NIPPLE
180420	TEE-NIPPLE
191095	CONTAINER FOR BREAK TANK
200117	RUBBER HOSE 7X16
200122	HOSE 11X19
200498	GASKET
201070	HOSE
201076	HOSE
260112	STAINLESS STEEL TE-SCREW 8X16
270309	CONNECTION 1"-1/2"
270311	NIPPLE 3/4"-1/2"
270313	CONNECT.1 1/4" - 3/4"
280115	ELL 1/2"
280310	TEE-CONNECTION 1/2"
280504	MANIFOLD CONN.HOSE
290105	BRASS-TE-PLUG 1/2"
290215	1/2"BSP M/F UNION BRASS
290410	NIPPLE 1/2"
290418	NIPPLE 1/2"
330367	BOOSTER FOR GE65 BT
450102	CLAMP FE ZN 11-17 H=9
450103	CLAMP FE ZN. 13-20 H=9
450105	CLAMP FE ZN. 26-38 H=12,2
450114	CLAMP FE ZN.22-32 H=12,2
450115	ELASTIC CLAMP D.8,3/7,8
450136	SCREW SUPPORT FOR COLLARS 3195
450149	CLAMP D.34,6 X 36,4
460502	GASKET 30X21X2



7 - Rinse pump

CODE	DESCRIPTION
120158	SOLEN. VALVE 3/4 L180Q17 240V
150034	CONNEC.F.SOLEN.VALVE 122.09.N
160709	KNOB OF MANIFOLD F. SOLEN. VAL
200104	DISCHARGE HOSE 20X30
200814	O-RING 34,52X41,58X3,53
270301	BRASS NIPPLES 1/2"
270309	CONNECTION 1"-1/2"
270313	CONNECT.1 1/4" - 3/4"
280101	CRANK F.F 1/2"
280115	ELL 1/2"
280119	ELL MF 3/4"
280520	CONNECTION 3/4"
290105	BRASS-TE-PLUG 1/2"
290215	1/2"BSP M/F UNION BRASS
290403	NIPPLE M.3/4" BRASS
290410	NIPPLE 1/2"
330526	FILTERS 22X28 SOLENOID V.MANIF
450105	CLAMP FE ZN. 26-38 H=12,2
460502	GASKET 30X21X2
510285	SOLENOID VALVE MANIFOLD - BRAS
620121	TWIN SOLENOID VALVE MANIFOLD
630981	COIL Z610 220/240V 50/60HZ



	GE60				GE65				GE80			
	400 V.		230 V.		400 V.		230 V.		400 V.		230 V.	
	COD.	A.	COD.	A.	COD.	A.	COD.	A.	COD.	A.	COD.	A.
F1	130260	2	130260	2	130260	2	130260	2	130260	2	130260	2
FKE2	130250	12	130252	20	130250	12	130252	20	130250	12	130237	32
FKE3	130250	12	130252	20	130250	12	130252	20	130250	12	130252	20
KE2	120477	9	120477	9	120477	9	120477	9	120477	9	120489	16
KE2B	120477	9	120477	9	120477	9	120477	9	120477	9	120489	16
KE3	120477	9	120477	9	120477	9	120477	9	120477	9	120477	9
KM2	120477	9	120477	9	120477	9	120477	9	120477	9	120477	9
KM3	120477	9	120477	9	120488	12	120488	12	120477	9	120477	9
F2	120860	1/1,4	120863	2,8/4	120860	1/1,4	120863	2,8/4	120860	1/1,4	120863	2,8/4
F3	120863	2,8/4	120864	4,5/6,5	120865	6/8,5	120867	10/14	120863	2,8/4	120864	4,5/6,5

01 - 2007 S. AG.

8 - Control box

CODE	DESCRIPTION
110482	CABLE FOR PCB FC-C-GE
120459	AUXIL.RELE 16A 220V
120460	RELAY 16A 220V
120477	CONTACTOR ABB 9A 220V 50/60HZ
120488	CONTACTOR ABB 12A 220V 50/60HZ
120489	CONTACTOR ABB 16A 220V 50/60HZ
120519	SECURITY THERMOSTAT 95-125Ø
120860	OVERLOAD RELAY ABB 1-1,4A
120863	OVERLOAD RELAY ABB 2,8-4A
120864	OVERLOAD RELAY ABB 4,5-6,5A
120865	OVERLOAD RELAY ABB 6-8,5A
120867	OVERLOAD RELAY ABB 10-14A
120960	PROBE C-G
121283	ELECTRONIC PANEL "C-GE"
121284	ELECTRONIC CONTROL PANEL C-GE
130237	FUSE 14X51 32A GL14332
130250	FUSE 12A GF 12312
130252	FUSE 20A GF 12320
130260	FUSE 10,3X38 2A AM 13001
150710	FUSE CARRIER 10,3X38 ART.21401
160537	ELECTRONIC CARD SPACER
161175	PROTECTION
200432	SPONGY RUBBER ADHESIV 8X4 NEOP
260423	SELF-LOCKING NUT M3
260501	STAINL.STEEL FLAT WASHER D3 UN
290801	FIXING SCREW
351740	CONTROL PANEL GE
461353	PLATE C-GE ELECTRONIC
631209	ANTI-NOISE FILTER
870016	LITTLE SWITCH FOR PCB
870017	BIGGER SWITCH FOR PCB
H36019	COVER FOR GE PCB

630529

631661 50 Hz Ø 122
631696 60 Hz

200848

630128

HP 0,75 / Kw 0,55 (CEA 120/2/A)

100789 220/240 - 380/415 50 Hz
100792 220/240 - 380/415 60 Hz
100793 255/440 60 Hz

630216

630306

630223

630501

631618 50 Hz
631647 60 Hz

630411

630114

POMPA LAVAGGIO - WASH PUMP
POMPE LAVAGE - WASCHPUMPE
BOMBA LAVADO HP 2 / Kw 1,5 (1204)

GE 60 - 80 - 100

100361 220/380 - 240/415 50 Hz
100605 220/240 60 Hz
100613 250/440 60 Hz

GE 65 - 115

630520

631693 50 Hz Ø 116
631694 60 Hz Ø 90

200948

460526
460525

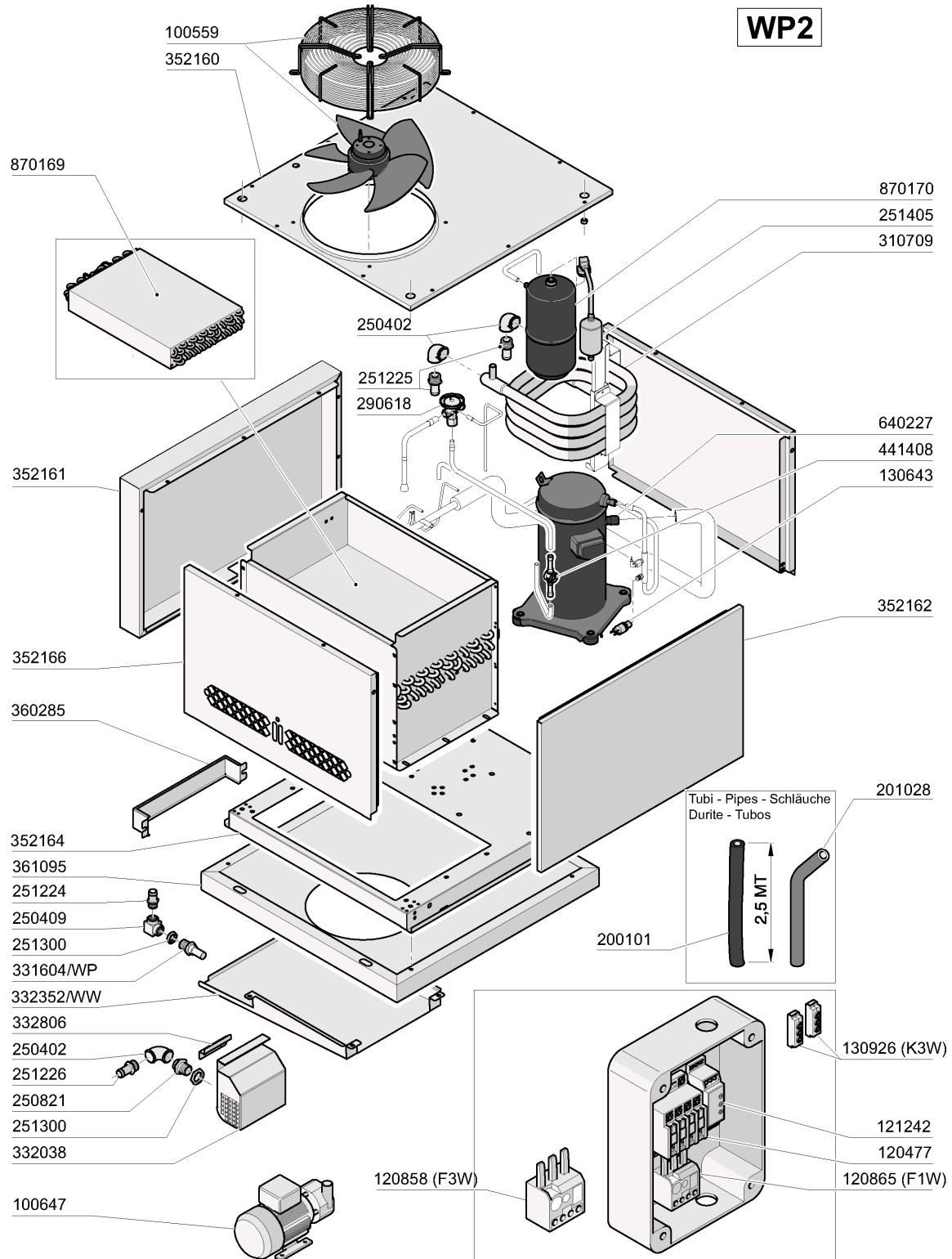
POMPA LAVAGGIO - WASH PUMP
POMPE LAVAGE - WASCHPUMPE
BOMBA LAVADO - HP 4 / Kw 3 (SHE 50)

100697 220/240 - 380/415 50 Hz
100709 220/240 - 380/415 60 Hz

9 - Pump

CODE	DESCRIPTION
100361	PUMP HP 2-220/380-50HZ-120404
100605	PUMP HP 2 380/3/60HZ 1204
100613	PUMP HP 2 440/3/60HZ 1204
100697	PUMP HP 4 230/400/50 SHE 50
100709	PUMP HP 4 220/380/415V 60HZ
100789	PUMP HP 0,75 220/415V
100792	PUMP HP 0,75 220/415
100793	PUMP HP 0,75
200848	O-RING FOR PUMP 0,75 HP CEA 12
200948	OR GASKET
460525	GASKET INLET ELBOW WASH PUMP
460526	GASKET DELIVERY ELBOW WASH P.
630114	VOLUTE FI HP2-2,7-3-3,2
630128	PUMP VOLUTE 0,75HP CEA120/2
630216	FAN HOUSING FIR HP 2-3
630223	BACK PLATE PUMP HP2-3-3,2
630306	PUMP FAN IMPELLOR FI HP.2-3
630411	O-RING PUMP FI HP 2-2,7
630501	SEAL FOR PUMP HP 2-3-3,2
630520	PUMP SEAL HP4-HTE50E
630529	SEAL FOR PUMP HP0,75 CEA120/2A
631618	IMPELLER PUMP F HP2-D.116,5
631647	IMPELLER D.100-60HZ-1204/5
631661	IMPELLER PUMP 0,75HP LOW.CE120
631693	IMPELLER FOR PUMP 100697
631694	IMPELLER
631696	IMPELLER 60HZ FOR PUMP 100792

WP2



10 - Heat pumps WP2

CODE	DESCRIPTION
100559	FAN WP2-WP3
100647	PUMP HP 0,20 220/240/3 4226
120477	CONTACTOR ABB 9A 220V 50/60HZ
120858	OVERLOAD RELAY ABB 0,4-0,63A
120865	OVERLOAD RELAY ABB 6-8,5A
121242	TIMER LAV1000
130643	HIGH PRESSURE PRESS.SWITCH WP
130926	CONTACT ABB 1NO
200101	RUBBER TUBE 25X35
201028	OUTLET HOSE F. PREWASH 400MM A
250402	INOX ELL FF 3/4"
250409	INOX ELL FF 1/2"
250821	NIPPLES FOR STEAM COIL
251224	NIPPLE 1/2" WP
251225	NIPPLE 3/4" WP
251226	NIPPLE 3/4" WP
251300	S/S LOCK NUT 1/2" AC-ACR
251405	FILTER WP4
290618	TERMOSTATIC VALVE WP2-WP3
310709	GAS/WATER CONDENSER WP2
331604/WP	TUBO PER RICIR. ACQUA GE WP2/3
332038	FILTER FOR PUMP
332352/WW	PARASPRUZZI CAMINO GE60-65 WP2
332806	BRACKET WITHOUT ASP.FILTER WP
352160	COVER WP2-WP3
352161	BACK COVER WP2-WP3
352162	FRONT COVER WP2-WP3
352164	BASEMENT WP2-WP3
352166	LEFT SIDE PANEL WP2-WP3
360285	BACK COVER WP2/3
361095	SUPPORT
441408	INDICATORE DI FLUSSO (WP)
640227	RICEVITORE LIQUIDO (WP2-WP3)
870169	EVAPORATORE (WP2-WP3)
870170	COMPRESSORE POMPA WP2